

RDP-SRSA20

Exploded View and spare parts list

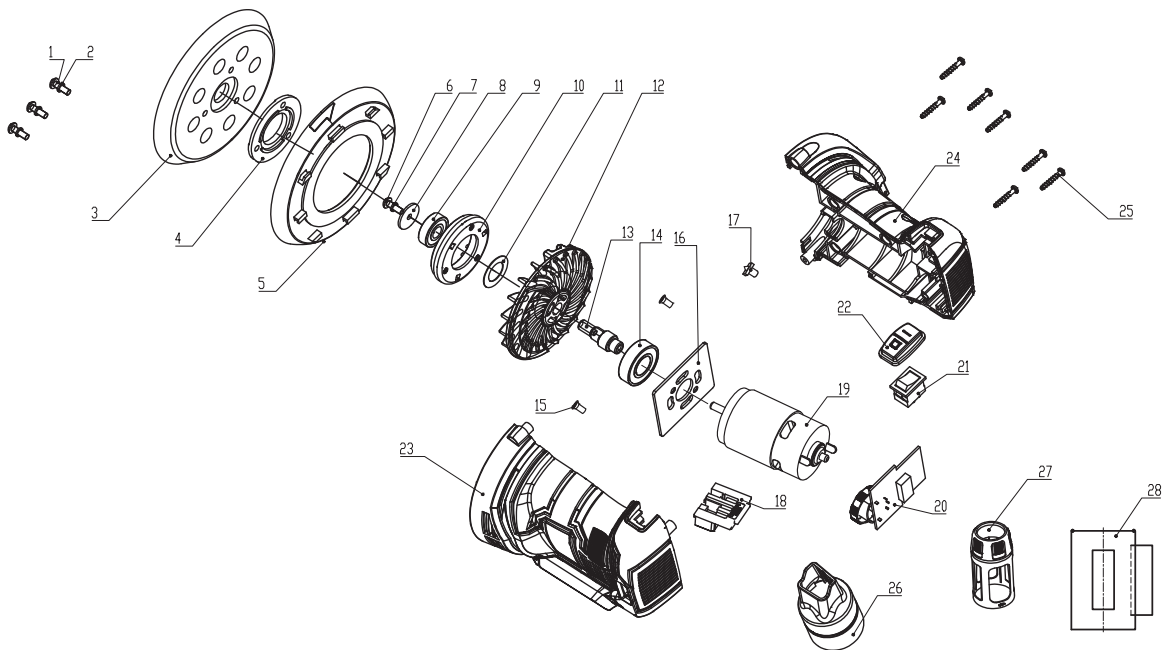


Fig.	Description of part	No.
1.	cross recess pan head screw	3
2.	spring washers	3
3.	LC0770-1 dhering sand disc	1
4.	LC0770-1 fixed plate	1
5.	LC0770-2 dirt-proof boot	1
6.	cross recess pan head screw	1
7.	spring washers	1
8.	LC0770-1 gasket	1
9.	6002RS bearing	1
10.	LC0770-1 bearing pedestal	1
11.	LC0770-1 bearing liner	1
12.	LC0770-1 fan blade	1
13.	LC0770-2 principal axis	1
14.	609RS high speed bearing	1
15.	Sunk screw	2
16.	LC0770-2 Motor locating plate	1
17.	LCM770-1 rubber column	1
18.	LC0777-1 holder	1
19.	Hong Yang 775 motor (18V round axis)	1
20.	LC0777-1 Round sand governor	1
21.	KCD1-101A Two foot switch	1
22.	LC0770-2 switch cover	1
23.	LC0777-1 The bottom of the chassis	1
24.	LC0777-1 Casing cover	1
25.	Self-tapping screw (coarse tooth)	7
26.	LC0770-2 Lead dust cover	1
27.	LC0770-2 Dust jacket	1
28.	LC0770-2 Dust bag	1